

# Luoyang Fuzz button Interconnect Technology Co., Ltd.

## 2.92mm (FEMALE) Fuzz Button connectors, CPW / Microstrip Vertical connection, Solderless PCB, 2 Hole Flange

一、 **Material Designation:** 2.92mm(K) (FEMALE) MM wave connector with Fuzz Button

二、 **Product Type:** 2.92-KFD0216FB-1

三、 **Trademark:** Floss Pin<sup>®</sup>、毛纽扣<sup>®</sup>、乱丝插针<sup>®</sup>

四、 **Brief Introduction:**

**Floss Pin (i.e. Fuzz Button connectors and CIN::APSE)** is a patent product. made in China, made of Luoyang Fuzz button Interconnect.

1. One end is vertically connected to the PCB board or microstrip circuit, surface mounted, and the end face of the fuzz button is used for elastic contact with the pad, without welding, easy to install, adjust and maintain, simple and reliable structure, and excellent performance;

2. The surface-mounted transmission line and the center needle are coplanar for transmission, with a large position tolerance range;

3. The other end is a standard 2.92mm(K) millimeter wave plug connector interface and performance compliance: MIL-STD-348A。

五、 **Common Applications:**

1、 Internet of Things (IoT);

2、 5G Wireless Infrastructure

3、 Smart Cities and agriculture

4、 Embedded computing

5、 Precision thin substrate mounting

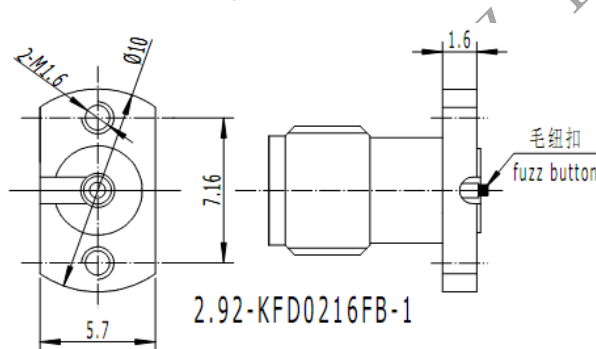
6、 Ideal for high speed PCB materials

7、 RF test and measurement

8、 CPW / Microstrip, microstrip and coplanar waveguide

PCB launch

六、 **Outline Dimension:**



七、 **Technical Data:**

A Interface Style: 2.92mm (K) Female, compliance: MIL-STD-348A

B Attachment Method: Solderless, elastic contact to pad with FuzzButtons

Connector Impedance: 50 Ohms

Body Style: Straight, Coaxial Compression

Connector Mount Method: 2 Hole Flange, with side groove for CPW / Microstrip

Frequency: DC to 40 GHz

Insertion Loss (dB) :  $<0.1 \times \text{Sqrt.}(f\_Ghz)$  dB

Return loss/VSWR:  $<1.3$

Centre Contact: CuBe Gold Plated

Outer Contact: Stainless Steel/ Cu Gold Plated

Dielectric: PEI & PTFE

Operating Temperature: -60 C---150 C°

# Luoyang Fuzz button Interconnect Technology Co., Ltd.

## 八、Packing:

The production are packed in plastic bottle. The packing list must be in the packing box, which has been gave clear indication of material designation、order mark、lot number、packet number and production total number.

LUO YANG FUZZ BUTTON CONNECTOR